



Light Efficient Design

SCREW-IN
RETROFITS

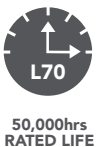
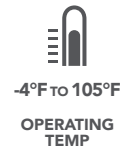
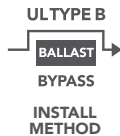


RECESSED CAN



↑
quick and easy
energy savings

- > 30W replaces up to 150W BR30 Incandescent.
- > Appealing design delivers lumens via 140 beam angle.
- > Rated for damp locations and in open fixtures only.
- > Efficient die-cast aluminum heat sink keeps the lamp running cool.
- > Fanless - for silent operation.
- > Available in 2700, 3500, 4000, and 5000K.



PART #	UPC	REPLACES	WATTAGE	LUMENS	COLOR	BASE
LED-8054E27-G2	844006048815	150W BR30 Incandescent	30W	2500	2700K	E26
LED-8054E35-G2	844006048822	150W BR30 Incandescent	30W	3000	3500K	E26
LED-8054E40-G2	844006048839	150W BR30 Incandescent	30W	3000	4000K	E26
LED-8054E50-G2	844006048846	150W BR30 Incandescent	30W	3000	5000K	E26

* See page 2 for dimmable options



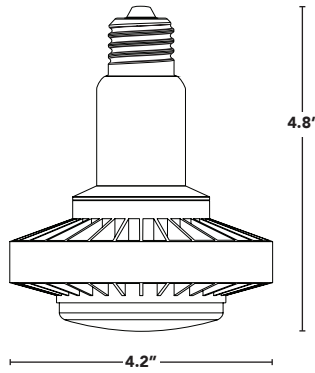
LIGHT EFFICIENT DESIGN HEADQUARTERS 188 S. Northwest Highway • Cary, IL 60013
INNOVATION & MANUFACTURING CENTER 30 Log Bridge Road, Building 200 • Middleton, MA 01949
847.380.3540 • led-llc.com

03.23.22 Information is subject to change without notice.





RECESSED CAN



PART #	UPC	REPLACES	WATTAGE	LUMENS	COLOR	BASE
LED-8054E35-G2-DIM	844006068592	150W BR30 Incandescent	30W	3000	3500K	E26
LED-8054E40-G2-DIM	844006068608	150W BR30 Incandescent	30W	3000	4000K	E26
LED-8054E50-G2-DIM	844006068615	150W BR30 Incandescent	30W	3000	5000K	E26